

Instrument Case - ABS (1598 Series)

Plastic

Molded in P.C. card standoffs and vertical card guides...

Positive fit, tongue & groove construction requires only two mounting screws...

Brass bushings for repetitive assembly and disassembly...



Complete with four rubber feet and hardware...

For extra strength, front & back panels are made of aluminum...

OTHER KEY FEATURES

- Desk top electronic instrument enclosure, ideally suited for mounting printed circuit boards.
- Molded in flame retardant ABS plastic (material carries a UL flammability rating of 94V-0).
- Designed to meet IP54.
- Two sets of vertical 1.5 mm (0.062") P.C. board guides are molded into case halves front and rear.
- Front and rear panels are 1.6 mm (0.064") brushed aluminum with protective paper on one side.
- Cases halves are secured with M3 x 0.5" x 10 mm (0.39") Philips machine screws threaded into tapped integral brass bushings.
- Integral horizontal P.C. card mounts on Eurocard centers.
- Stocked in matte textured black and grey.
- EMI/RFI shielded cases are stocked in black (see table).

ACCESSORIES



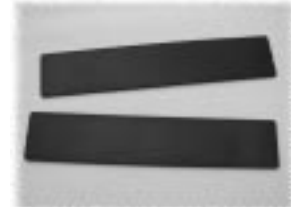
Replacement Screws

Machine screws, used in flame retardant ABS 1598 series (ie...with brass inserts). M3 - 0.5" x 10 mm
1591MS100 - Package of 100



Nylon Circuit Board Standoffs

Self adhesive pad allows placement anywhere in the enclosure.
1598ZPC25 - Package of 25
1598ZPC100 - Package of 100



Optional Plastic End Panels (Black)

Molded from black fire retardant ABS plastic. Part contains both front & back panel.

- 1598PLABK** - Use with 1598A
- 1598PLBBK** - Use with 1598B
- 1598PLBBBK** - Use with 1598BB
- 1598PLCBK** - Use with 1598C
- 1598PLDBK** - Use with 1598D
- 1598PLEBK** - Use with 1598E
- 1598PLFBK** - Use with 1598F
- 1598PLGBK** - Use with 1598G
- 1598PLHBK** - Use with 1598H
- 1598PLJBK** - Use with 1598J



P.C. Board Screws

Self-tapping type, used in bosses in the 1598 series for P.C. board installation. #6 x 1/4" (6.4 mm)
1598ATS100 - Package of 100



Tilt Handles

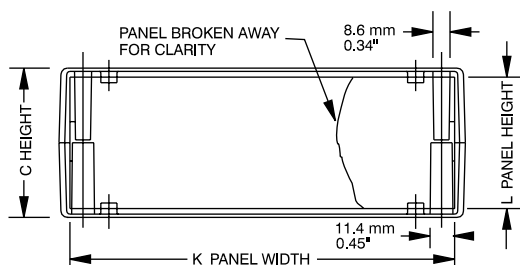
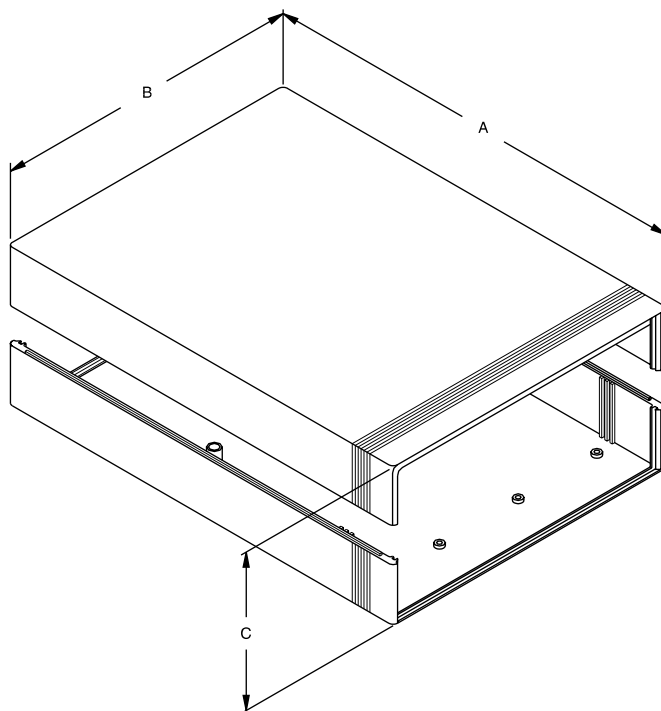
Used as a tilt handle and/or bail - 8 detent positions.
1598TH1 - Use with 1598C,E,F & G
1598TH2 - Use with 1598D, H & J

Instrument Case - ABS (1598 Series)

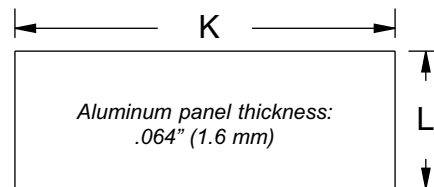


Molded in Flame Retardant ABS

Plastic



End View



Front or Rear Panel

| Part Number | | | Units | Dimensions | | | Panel Size | |
|-------------|----------|----------------|------------|--------------|-------------|------------|-------------|------------|
| Black | Grey | Black Shielded | | A | B | C | K | L |
| 1598BBK | 1598BGY | 1598RBBK | inch mm | 5.28 134 | 5.31 135 | 1.96 50 | 5.04 128 | 1.77 45 |
| 1598ABK | 1598AGY | 1598RABK | inch mm | 6.18 157 | 3.70 94 | 1.42 36 | 3.39 86 | 1.06 27 |
| 1598EBK | 1598EGY | 1598REBK | inch mm | 6.30 160 | 6.30 160 | 3.38 86 | 5.98 152 | 3.11 79 |
| 1598BBBK | 1598BBGY | 1598RBBBK | inch mm | 7.05 179 | 6.06 154 | 1.42 36 | 5.75 146 | 1.14 29 |
| 1598CBK | 1598CGY | 1598RCBK | inch mm | 7.09 180 | 6.10 155 | 2.04 52 | 5.71 145 | 1.81 46 |
| 1598DBK | 1598DGY | 1598RDBK | inch mm | 7.09 180 | 8.11 206 | 2.52 64 | 7.80 198 | 2.28 58 |
| 1598FBK | 1598FGY | 1598RFBK | inch mm | 9.84 250 | 6.30 160 | 1.58 40 | 5.98 152 | 1.38 35 |
| 1598GBK | 1598GGY | 1598RGBK | inch mm | 9.84 250 | 6.30 160 | 3.00 76 | 5.98 152 | 2.72 69 |
| 1598HBK | 1598HGY | 1598RHBK | inch mm | 11.02 280 | 7.87 200 | 1.58 40 | 7.56 192 | 1.38 35 |
| 1598JBK | 1598JGY | 1598RJBK | inch mm | 11.02 280 | 7.87 200 | 3.00 76 | 7.56 192 | 2.72 69 |

NOTES: - Average top & bottom wall thickness: 0.125" (3.2 mm)
 - Average side wall thickness: 0.18" (4.5 mm)



CANADA
 Guelph, Ontario (519) 822-2960
 St. Laurent, Quebec (514) 343-9010
USA
 Cheektowaga, NY (716) 651-0086

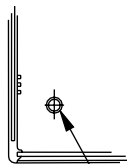
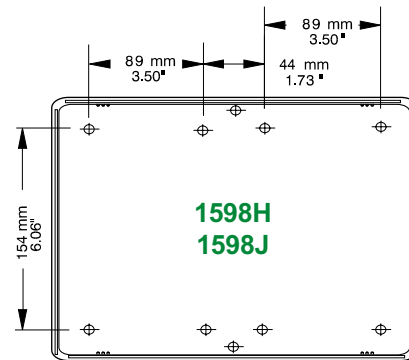
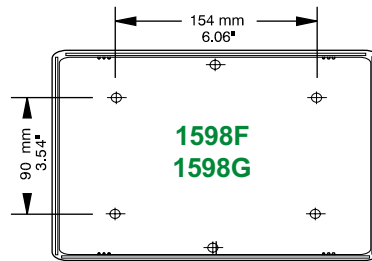
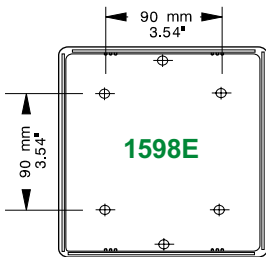
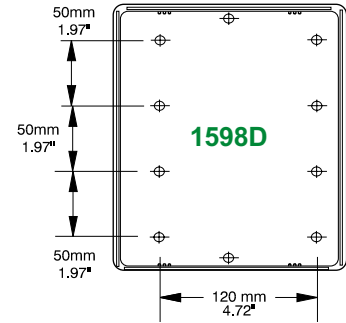
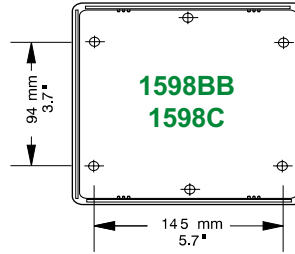
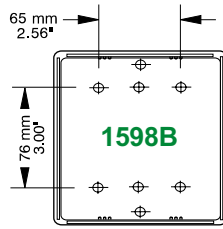
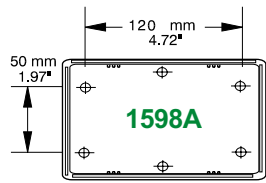


EUROPE
 Basingstoke, UK +44 1256 812812

AUSTRALASIA
 Queenstown, SA, Australia +61 8 8240 2244

1598 Series Drawings

Plastic



POST 3 mm I/S .12" I/S
8 mm DIA O/S .32" DIA O/S

P.C. Board Standoff Detail

For detailed drawings, CAD files and color photos visit our website at: www.hammondmfg.com

